

# JAMESTON

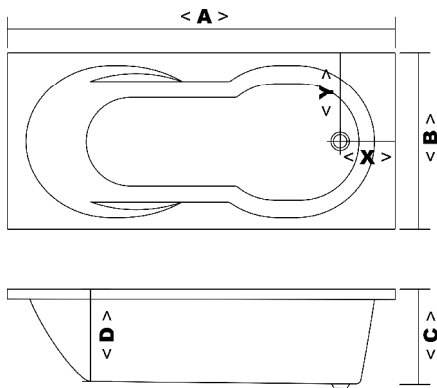
## SPECIFICATIONS

All measurements are in millimetres

SHOWER BATH		(DIAGRAM 1)					
Model	Ref	A	B	C	D	Waste X	Waste Y
1525	NHB-1525	1525	760	440	445	245	380
1675	NHB-1675	1675	760	445	450	245	380

STANDARD BATH		(DIAGRAM 2)					
Model	Ref	A	B	C	D	Waste X	Waste Y
1525	NSB-1525	1525	750	440	445	215	375
1675	NSB-1675	1675	750	440	445	215	375
1700	NSB-1700	1700	800	480	480	215	400
1800	NSB-1800	1800	750	480	480	215	375

(DIAGRAM 1)



(DIAGRAM 2)

