

DESIGN **PLUS**



**NEW!**

## **TECE**square

Toilet push plates  
in metal and glass

**TECE:**

Intelligent housing technology

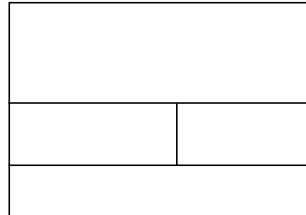
TECEsquare



2 Fig. TECEsquare bright chrome

## Toilet push plate in metal and glass

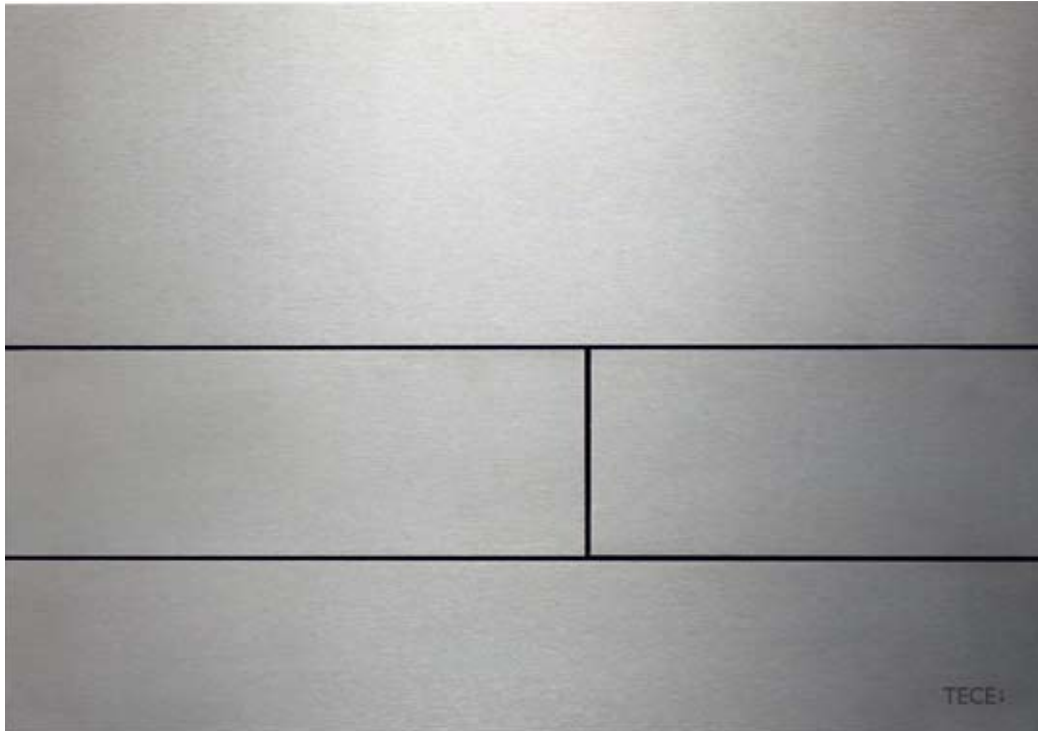
TECESquare is the new toilet push plate from TECE.  
The extremely flat cover of the metal variant and the option of flush mounting of TECESquare glass enables perfect integration in the bathroom architecture.  
The TECESquare series is exclusively available for the TECE cisterns only.



The cistern from TECE – always the right fit ...

# TECEsquare metal

DESIGN **PLUS**



TECEsquare stainless steel – nominated for the Design Prize of the Federal Republic of Germany 2010 and awarded the Design Plus prize.

# TECEsquare metal with extremely flat cover

With its extremely flat cover, the push plate can be fully integrated in the bathroom architecture. The function is self-explanatory – one large button for full flush and a smaller one for reduced flush. Installation in the wall is carried out using a special installation frame. Only the 2 mm thick, extremely flat stainless steel plate remains visible. In the stainless steel variant, an abrasion-resistant layer protecting against fingerprints ensures a perfect appearance.

## Toilet push plate in stainless steel for TECE cisterns

with two spring-mounted actuation rocker buttons,  
for actuation from the front or from the top.

Dimensions 240 x 170 x 2 mm

- |   |                         |           |
|---|-------------------------|-----------|
| 1 | Brushed stainless steel | 9.240.810 |
| 2 | Bright chrome           | 9.240.811 |
| 3 | White                   | 9.240.812 |



1



2



3

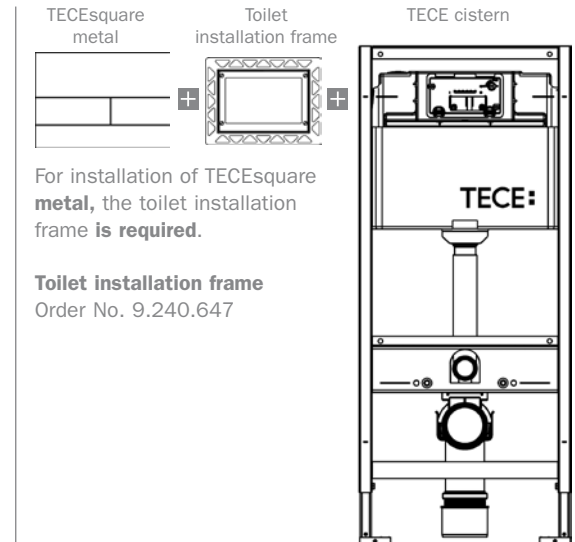
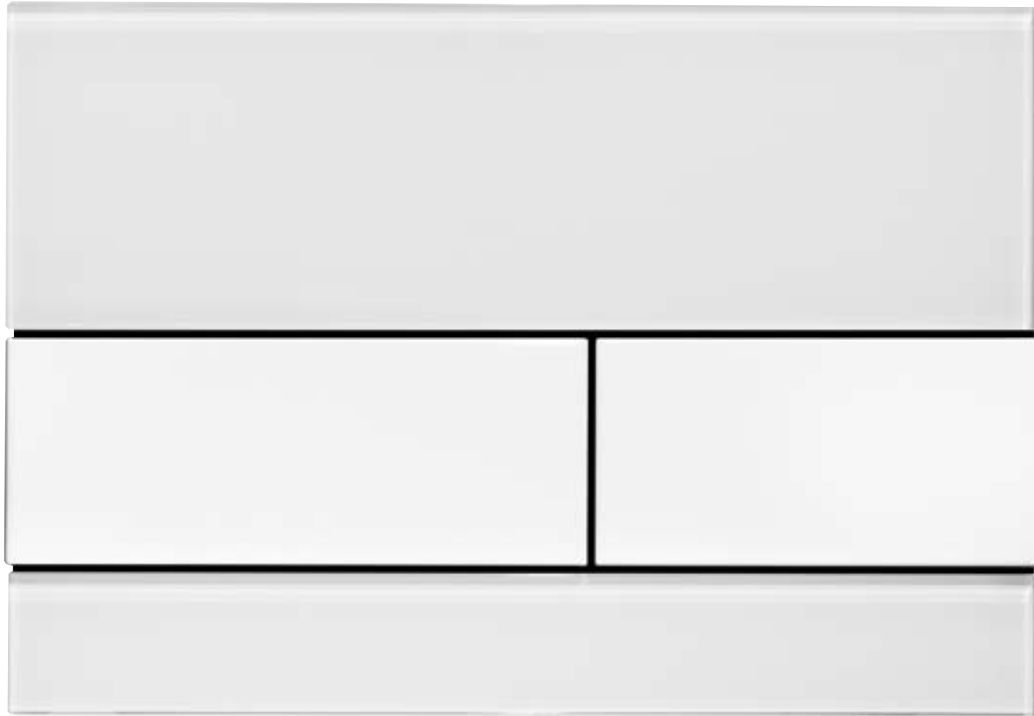




Fig. TECEsquare glass – flush mounting

**TECE**square glass – with the option of  
flush mounting



TECEsquare – glass white, buttons white

# TECEsquare glass



1



2



3



4



5



6



7



8



9



10

# TECEsquare glass

With a minimalist form, the TECESquare glass push plate focuses on the aesthetic effect of the material. The function is self-explanatory – one large button for full flush and a smaller one for reduced flush. The plates are fixed to the wall in the conventional way or flush mounted with the help of a special installation frame.

## **Toilet push plate in glass for TECE cisterns**

Suitable for flush mounting. For actuation from the front or from the top.

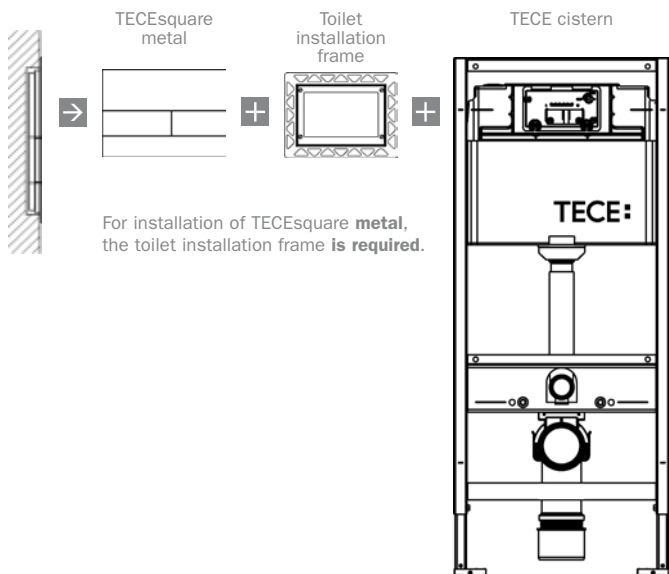
Dimensions 220 x 150 x 11 mm

1	Glass white, buttons white	9.240.800
2	Glass white, brushed stainless steel buttons	9.240.801
3	Glass white, buttons bright chrome	9.240.802
4	Glass green, buttons white	9.240.803
5	Glass green, brushed stainless steel buttons	9.240.804
6	Glass green, buttons bright chrome	9.240.805
7	Glass black, brushed stainless steel buttons	9.240.806
8	Glass black, buttons bright chrome	9.240.807
9	Glass black, buttons gold	9.240.808
10	Glass black, buttons black	9.240.809

# Mounting

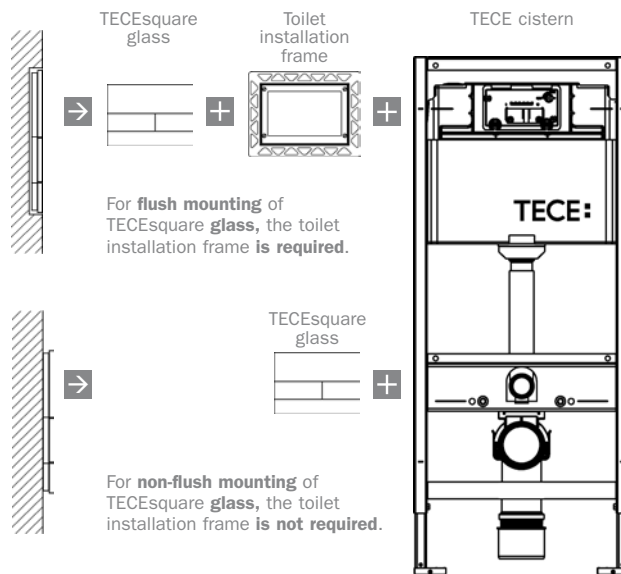
## TECESquare metal

For mounting TECESquare **metal**, the toilet installation frame is **required**.



## TECESquare glass

The option of flush mounting the glass push plates is an excellent feature of the TECESquare and TECEloop series.



## Toilet installation frame for flush mounting of TECEsquare glass or for mounting of TECEsquare metal

Depth-adjustable installation frame from 5 to 18 mm\* for wall tiles. The different frame colours allow individual modification in line with the cover or wall.

\* with upgrade set up to 36 mm

1 White	9.240.646
2 Black	9.240.647
3 Gold	9.240.648
4 Bright chrome	9.240.649

The toilet installation frame can be used in combination with the TECEprofil modules for dry-wall construction. In a brick curtain wall, flush mounting is achieved with the TECEbox brick-wall modules and the bare-wall protection for flush mounting (Order No. 9.030.029).



1



2



3



4

# The standard cisterns for TECEsquare push plates

For years, the TECE cisterns have been proven thousands of times in practice. The newly developed drain valve inside the cistern was awarded the Design Plus prize for sustainable water use. It permits a real 4.5 litre short flush even with the use of dual flush technology. For installation, the cistern is delivered as a TECEprofil module for dry-wall construction or TECEbox for brick-wall construction.

**!** A minimum finish or facing thickness of 3 cm is needed for the flush mounting of TECEsquare glass and TECEloop glass and for the mounting of TECEsquare metal!

## TECEprofil toilet modules with TECE cisterns and brick wall cistern

TECEprofil toilet module  
Assembly height 1,120 mm  
Front actuation  
Order No. 9.300.000



TECEprofil toilet module  
Assembly height 980 mm  
Front actuation  
and top actuation  
Order No. 9.300.022



TECEprofil toilet module  
Assembly height 820 mm  
Front actuation  
and top actuation  
Order No. 9.300.001



Brick-wall cistern  
TECEbox  
for installation in a  
brick curtain wall  
Order No. 9.370.000



Brick wall cistern  
TECEbox  
for wall-hung toilets  
Order No. 9.370.008

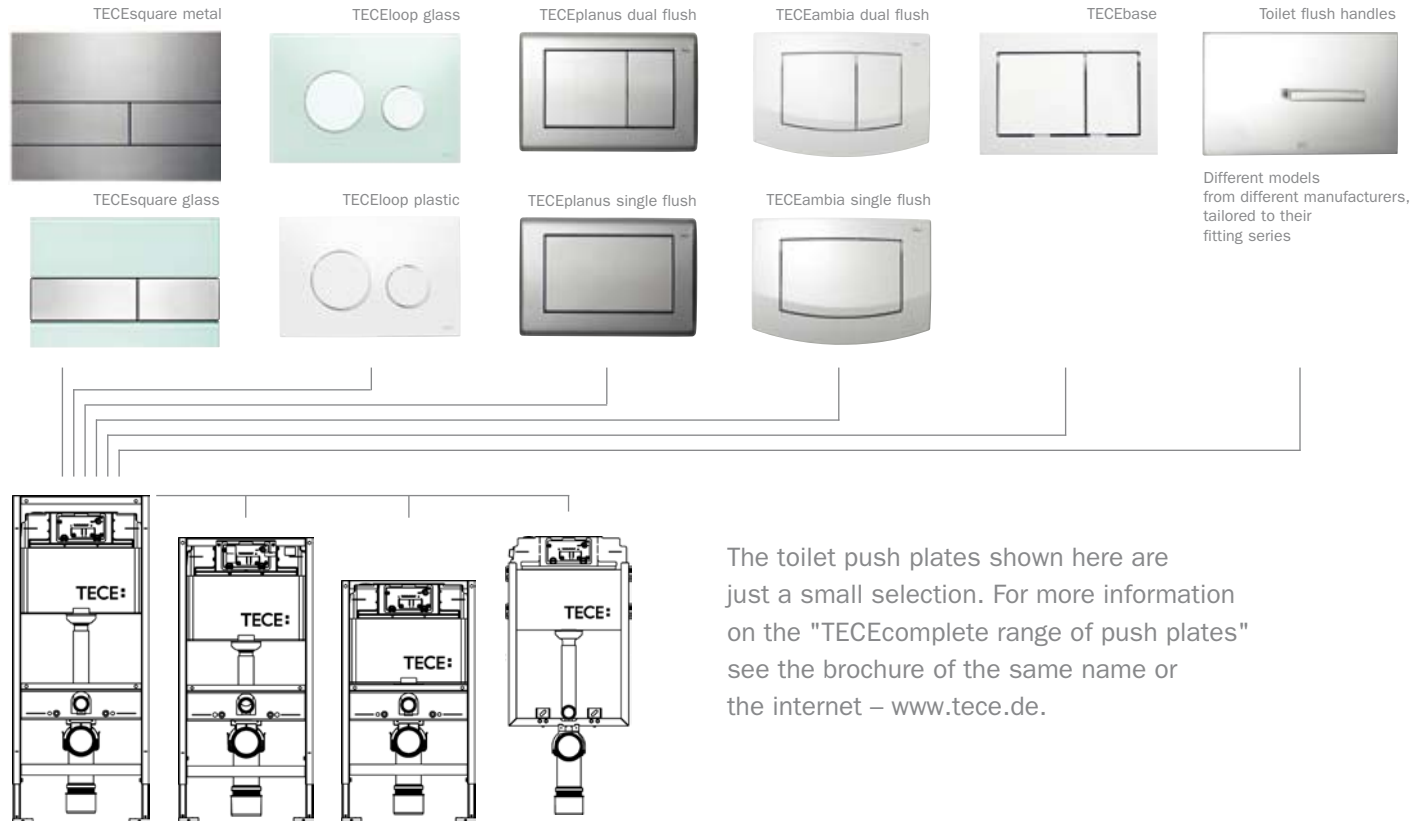


TECEprofil toilet module  
to be mounted in metal  
frame walls or in front of  
solid walls  
Order No. 9.300.040



# The idea behind the TECE system

TECE standard cisterns and push plates are always compatible with each other.



**TECE GmbH**

International Business

Hollefeldstraße 57

48282 Emsdetten

Germany

Phone +49 (0) 25 72 / 928 999

Fax +49 (0) 25 72 / 928 204

international-business@tece.de

www.tece.de

**TECE:**

Intelligent housing technology



DS030\_00\_012