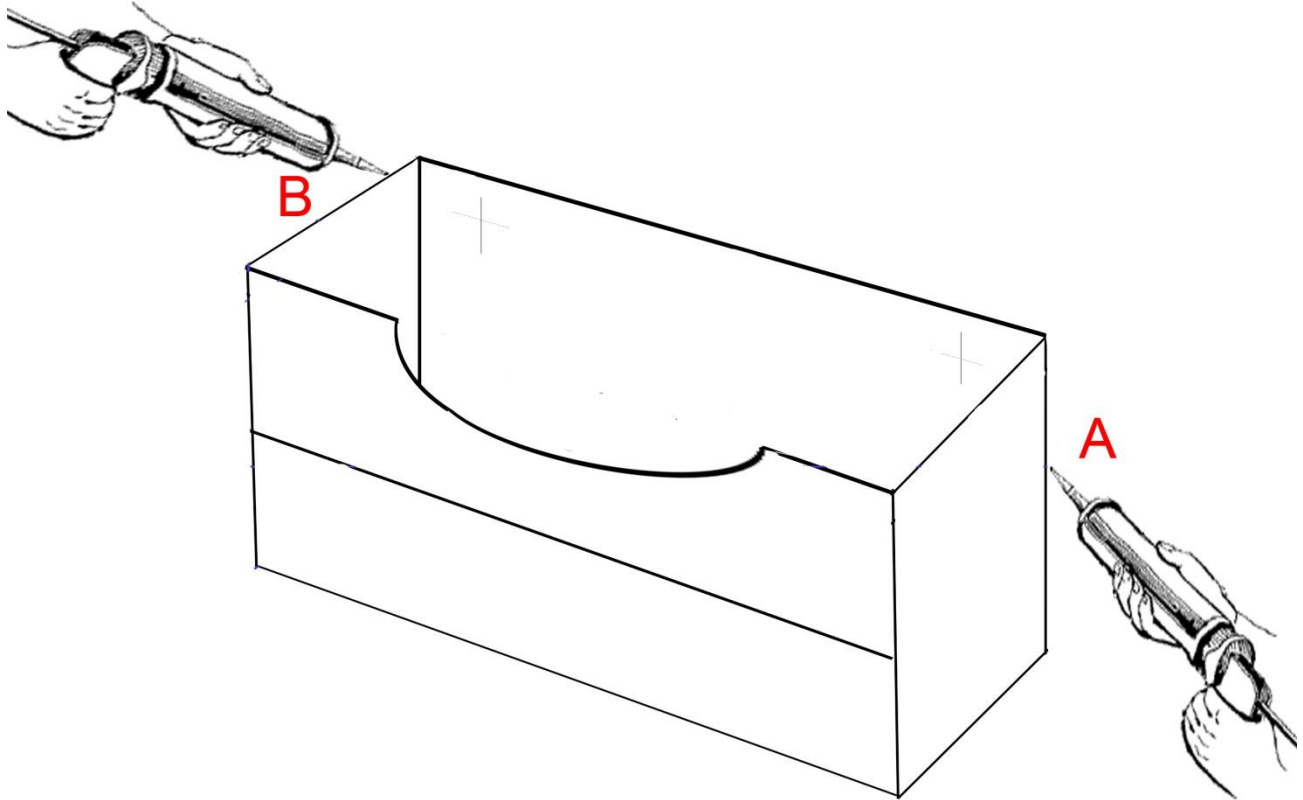


# FRANKLIN

THE WORLD'S MOST BEAUTIFUL BATHROOMWARE

## Installation Instructions



## WALL MOUNTING VANITIES

**Please read the following instructions prior to installing your vanity cabinet. Failure to comply with these instruction procedures could invalidate your warranty.**

### THE FOLLOWING TOOLS ARE REQUIRED

Drill and drill bits  
Masking tape  
Cleaning materials

Spirit level  
Screws  
Pencil

Tape measure  
Screwdriver

Caulking gun  
Silicone sealant

**The cabinet should be fitted to a solid horizontal plate (minimum 75mm x 50mm) or vertical studs in the wall using four 10g x 75mm countersunk screws each with a 20mm diameter washer positioned as per diagram.**

**Position screws a minimum of 75mm from the left and right walls of the cabinet, 50mm down from the top of the cabinet and 50mm up from the base of the cabinet.**

## STEP ONE

Having established the position you want the vanity cabinet mark a level line on the wall where the base of the vanity will sit. Mark and drill the holes for your plumbing fixtures i.e. waste outlet and hot and cold water inlets.

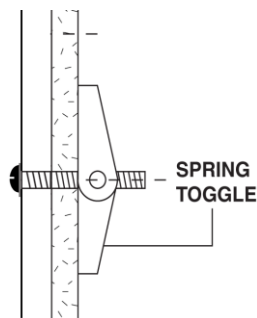
Find the horizontal plate and wall stud or nog and measure up from the pencil mark on the wall to identify the positioning for four points (as per front page diagram) where the screws will anchor the vanity to the timber behind the wall.

## STEP TWO

Place the vanity in position. Level the vanity, aligning the base with the previously marked line. Ensure that the carcass is not twisted or the doors and drawers not racked out of alignment. Realignment of the doors and drawers is possible by using the adjustment screws on both the drawers and doors.

## STEP THREE

Fix the vanity to the wall through the back of the cabinet. The fixings should be into a wall stud or nog. If you are unable to locate anything solid in the wall to fix the vanity to, we recommend that you use a toggle or similar system.



**SPRING TOGGLE:** for use in cavity (hollow) walls

## STEP FOUR

Once the vanity is fixed in position and you have checked that it is level and the doors and drawers are correctly aligned, silicon around the perimeter of the vanity unit, i.e. where the cabinet meets the walls (position A with caulking gun).

It is recommended that the top be fixed onto the cabinet with silicon. This will ensure the top will not move once installed. The silicon should be applied to the top of both side panels as well as the top of the back and face panels (position B with caulking gun).

Vanity tops, basins and cabinets that sit against the wall need to be sealed between the wall and the product using silicon.

Mask around the area to be sealed using masking tape and leave a big enough gap between the tape to apply the silicon. For a professional finish, smooth silicon off with a gloved finger and remove the tape before the silicon sets.

### For further information:

Franklin  
P.O. Box 310 Pukekohe, Auckland  
Telephone: 09 238 9179 Facsimile: 09 238 4128  
Email: [info@franklins.co.nz](mailto:info@franklins.co.nz) Website: [www.franklins.co.nz](http://www.franklins.co.nz)